

L'argent Bruille

Studio Sprung Dance Floor System

Designed by
Michael Johnson
Patent pending, all rights reserved

Manufactured at
Site N Sound, Inc.
Scenic Department

Michael Johnson
West Palm Beach FL 33411
Cell: 561-827-1115
Fax: 561-791-2801
MICHAEL_JOHNSON@SITENSOUND.ORG

Date

Owners Information

NAME
Address.
Town, State Zip

Project # 0008-0

Architects – Engineers

Address.
Town, State Zip

Construction Co., Inc.

Address.
Town, State Zip

Site N Sound Inc.

Cell: 561-827-1115, Fax: 561-791-2801

The L'argent Bruille Studio Sprung Dance Floor System is available in Studio, All Weather and Touring models



The above photos show our L'argent Bruille Studio Sprung Dance Floor installed at Dreyfoos School of The Arts in West Palm Beach, Florida.



The above left photo show our L'argent Bruille Studio Sprung Dance Floor installed at Boynton Beach High School of The Arts in Boynton Beach, Florida.

L'argent Bruille Studio Sprung Dance Floor System

The following calculations are based on the average body weight of high school dance students

Sponge Rubber Specifications:

Density: 0.24-0.481 g/cc 0.00868-0.0174 lb/in³
Tensile strength: Min 1.03 Mpa Min 150 psi
Durometer hardness: Shore OO. 35 to 60
Optimum compression: 1/8 in.
Thickness: 1/2 in

<u>Pad Width</u>	<u>@ 1.75"</u>	<u>@ 2.0"</u>
<u>Load on floor:</u>		
Point of compression:	65.65 lbs	75.0 lbs
Compression @ 25%:	170.69 lbs	195.0 lbs
Compression @ 50%:	275.73 lbs	315.0 lbs
Momentary shock load:	2481.57 lbs	2790.0 lbs
Rolling load:	1102.92 lbs	1260.0 lbs

Static load maximum: 65.65 lbs. per sq. ft.

Note: Stop limiter pads are installed at 16" oc to prevent the compression of the sponge rubber pads so as not to exceed 50% of compression. Stop limiter pads are made of EDPM solid rubber 1/4 " thick by 2" wide @ 900 psi with a shore A: 60 firm.

Weight in excess of the static load maximum will cause the foam to rupture and collapse. When this occurs the rubber will no longer respond according to our engineering specifications.

Design Overview:

L'argent Bruille Studio Sprung Dance Floor System is designed to absorb the kinetic energy of a dancers body weight, reducing the types of injuries normally associated with the study of dancing. The sponge rubber pads are calculated to be weight specific to the average body weight of the age group using the floor. This allows students in an elementary school to have the same amount of deflection as a high school student or a professional dancer. The design allows the floor to be removed or relocated easily.

L'argent Bruille Studio Sprung Dance Floor System

Description of Product Depicted on pages 6 and 7

Top View (page 6)

This view is a typical sheet of our L'argent Bruille Studio Sprung Dance Floor System showing horizontal placement of dowels. The plywood is a maple veneer poplar core $\frac{3}{4}$ inch thick cabinet grade C2 measuring 96 inch by 48 inch. Each sheet is pre-finished with catalyzed urethane on all sides to prevent warping. There are three- $\frac{1}{2}$ inch diameter by forty-five inch long dowels set horizontally on the edges of each sheet of plywood. These dowels allow the flooring to lock together in a tongue and groove manner. In the L'argent Bruille design, the $\frac{1}{2}$ inch dowel allows deeper penetration and is less apt to shear. The standard size dowel used in the majority of dance floors is $\frac{3}{8}$ of an inch and is prone to shearing. Shearing is the number two cause of dance floor failure.

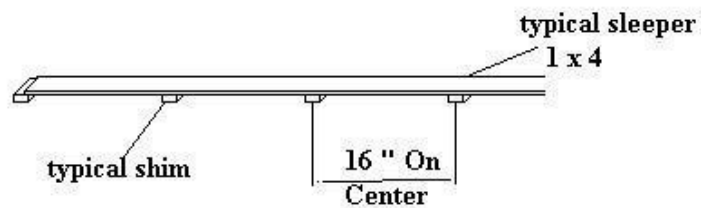
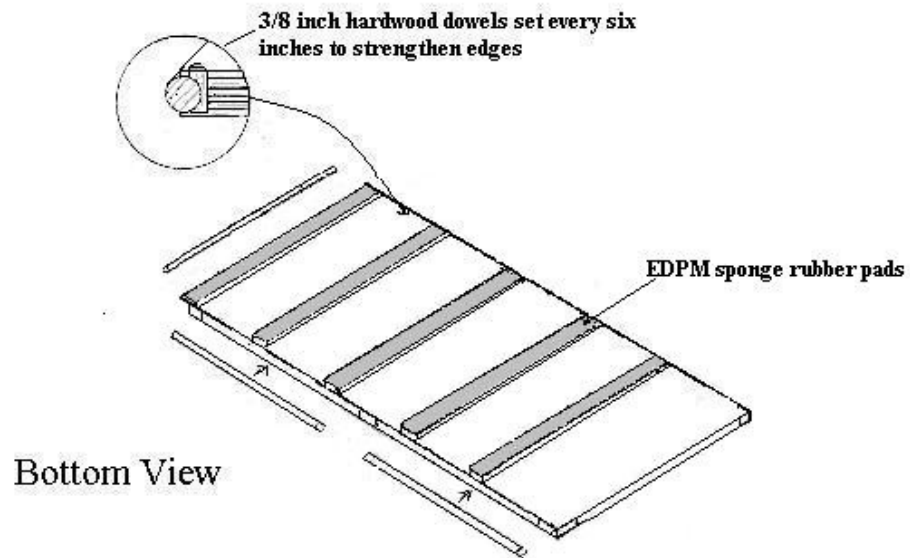
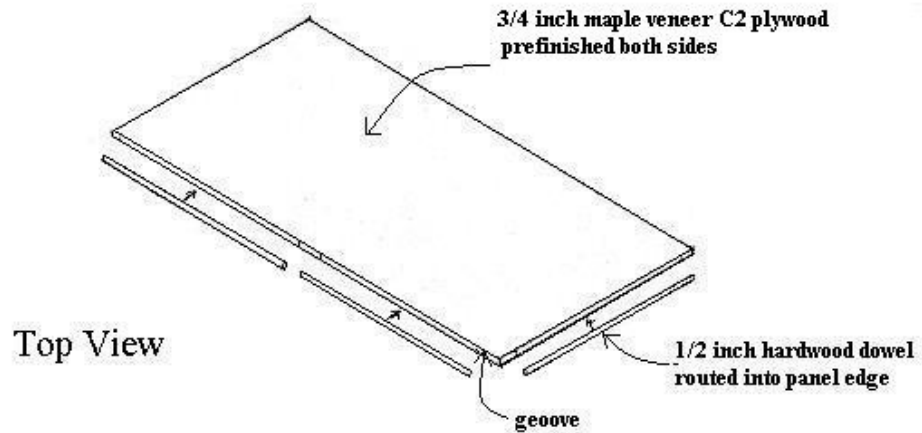
Bottom View B (page 6)

The exploded view shows a $\frac{3}{8}$ -inch x $\frac{3}{4}$ inch vertical hardwood dowel set in the edge of the plywood. There are forty-eight of these dowels set vertically on the edge of each sheet of plywood. These dowels are a unique feature, found only in Michael Johnson's design. The purpose of these dowels is to prevent ply separation over long-term use. Ply separation is the leading cause of dance floor failure. Additionally, this view shows the placement of the sponge rubber pads on the underside of each sheet of plywood. There are five $\frac{1}{2}$ inch thick, 1.75 inch by four foot pads per sheet of plywood. The placement of these pads is arranged to share the load on all edges of the plywood. The sponge rubber pads are replaceable and may need to be replaced after six years of use, or in the event that too great of a load is placed on the floor. This feature reduces the cost of having to replace the entire floor. The EDPM stop limit pads are not shown on drawing. They are placed 16" oc on top of the sleeper in line with floor shims.

Cable Tensioner (page7)

Tensioning design. $\frac{3}{16}$ -inch aircraft cables are suspended below the underside of the sheets. The purpose of these cables is to lock the floor together absorbing kinetic energy from the hard landing of a dancer by dissipating the kinetic energy through the cables. This feature allows the dancers to have the floor tension set to a desired level.

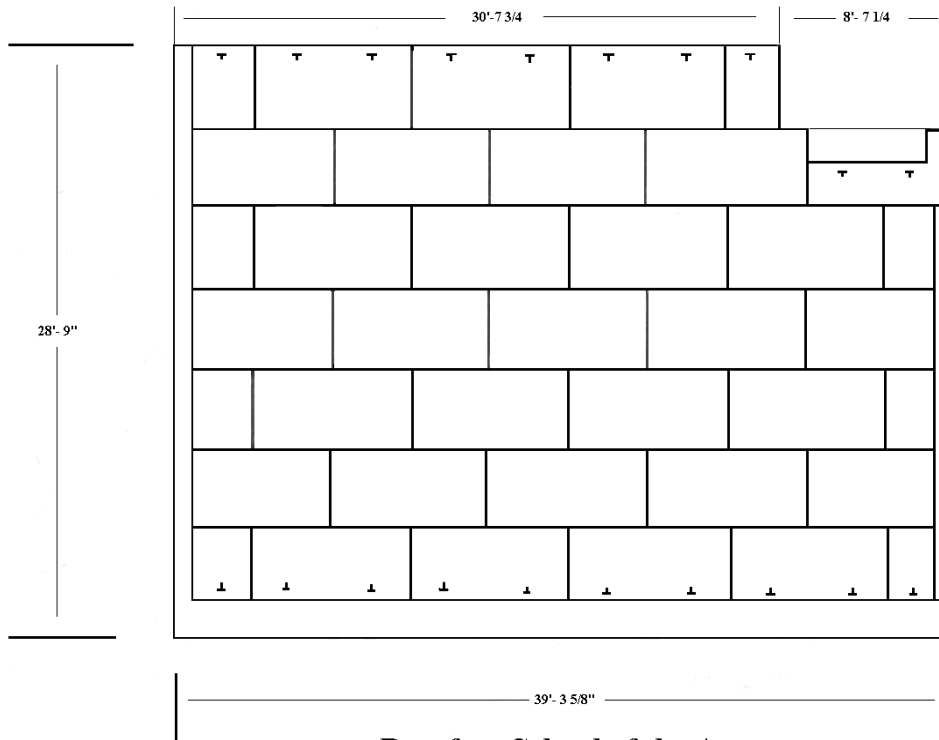
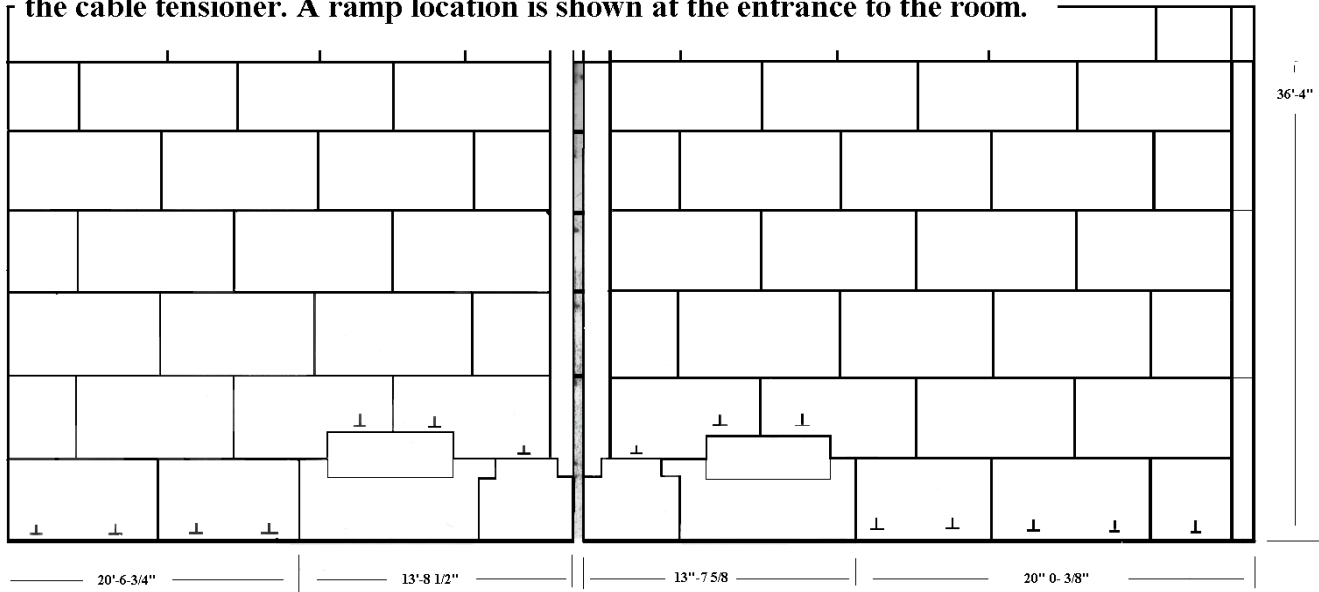
L'argent Bruille Studio Sprung Dance Floor System



L'argent Bruille Studio Sprung Dance Floor System

Typical Floor Set Plan

This page shows how the plywood sheets are laid out to form the dance floor. The letters "T" on the outer edges of the pages are the locations of the cable tensioner. A ramp location is shown at the entrance to the room.



**Dreyfoos School of the Arts
Dance Classrooms**

L'argent Bruille Studio Sprung Dance Floor System

90-Day Sample Quote

Site N Sound, Inc. will deliver to curbside by commercial carrier the L'argent Bruille Studio Sprung Dance Floor System as previously described for the two dance studios to The _____. Room XX measures XXXX sq. ft. and room XXX measures XXXX sq. ft. with a total of XXXX sq. ft. Storage closets or adjacent work areas are not included. The system includes: floor panels, starter/surround panels, tension cables with mounting hardware, wood sleepers, shims, and necessary hardware.

As Site N Sound, Inc. does not manufacture any of the materials used in the dance floors, we cannot offer any warranty or guarantee beyond the original manufactures'. Any liability issues that may arise after installation of the new dance floors will be the sole responsibility of the final purchaser of the dance floors.

The quote does not include installing the dance floor, vapor barrier, sleepers, shims and double stick tape or a rubberized topcoat, i.e., marley. This estimate does not include ventilated base moldings.

Site N Sound, Inc. offers a two-year no bond guarantee on the L'argent Bruille Studio Sprung Dance Floor System. This guarantee does not include the marley or any materials used to secure the marley to the dance floor.

In order to assure quality to the owner, Site N Sound, Inc. will provide on-site manufactures representatives to the installing contractor to oversee the entire installation of the L'argent Bruille Studio Sprung Dance Floor System.

The building of the new flooring will commence immediately upon receipt of a signed contract, an approved purchase order with a 40 % deposit of \$xx,xxx.00. The balance of \$xx,xxx.00 will be due in full at time of delivery in the form of a cashiers check payable to Site N Sound, Inc.

Quote:

Floor Panels with shipping

Sleepers with shims

Tension cable and all necessary hardware

Total \$ xx,xxx.00

Michael Johnson

Authorized Agent

Site N Sound, Inc. _____ Date _____

Site N Sound Inc.
No Bond Guarantee

This guarantee exclusively covers the L'argent Bruille dance floor system manufactured by Site N Sound, Inc. for a period of two years effective from — DATE— for the —number of— dance floors in rooms-----in ----- at-----location -----

Site N Sound, Inc. agrees to replace any defective flooring for a period of two year free of charge, providing the defect is due to materials or workmanship and that the following requirements are met:

All pianos and/or heavy objects placed on the flooring should stay in designated areas that have flooring stiffeners under them. Stiffeners must be placed in designated areas just prior to the installation of the floor. Designating an area after the floor has been installed will require completely removing and reinstalling the dance floor. Designating or changing an area for the pianos after the floors have been installed is not covered in the guarantee period.

Moving pianos and/or heavy objects into or from the designated areas requires matting the path the pianos and/or heavy objects will take with $\frac{1}{2}$ or $\frac{3}{4}$ inch plywood and these objects must be moved as quickly as possible, with little or no standing in one spot.

Rubberized coating also known as marley, applied by persons/vendors must be secured to L'argent Bruille dance floor panels using double stick tape (part no. 08740) from ROSCO Laboratories, Inc., or top tape with the standard marley/gaff tape during the guarantee period. To maintain the guarantee by using other products, you must receive written authorization from Site N Sound, Inc.

Rubberized coating that has been installed by any means other than the required method during the guarantee period will result in secondary damage to the flooring should the topcoat be removed in order to replace/repair any defective part. Any secondary damage to the flooring caused by the use of adhesives other than the required method to secure the rubberized coating will remain the responsibility of the purchaser and will not be covered in the guarantee.

Cleaning of the flooring after the installation of the rubberized coating must be done with a damp towel wrapped over a push broom head using one cup of clear ammonia and two gallons of water or one cup of denatured alcohol in a gallon of water. To maintain the guarantee by using other products, you must receive written authorization from Site N Sound, Inc.

The use of a wet mop, liquids, caustic chemicals or solvents can cause damage to the flooring. Water and/or chemical damage of any kind will not be covered in the guarantee. Warping due to humidity that exceeds 60% will not be covered by the guarantee. Cosmetic damage to any floor covering will not be covered by the guarantee.

Damage caused by abuse, i.e. heavy objects, riots, civil disobedience, misuse, negligence or modification of or to part of and/or natural causes, i.e. water, wind, storm, lightning, etc., cosmetic damage, i.e. nails, screws, tape, staples, or commercial use will not be covered by the guarantee.

Replacement and/or repair of damaged flooring that does not qualify under the guarantee will be billed at the current rate of \$50.00 per man-hour and is subject to change, plus all material costs.

Repair and/or replacement as provided under this guarantee is the exclusive remedy of the purchaser. Site N Sound, Inc. shall not be liable for any consequential or incidental damages for breach of any express or implied guarantee on this product. Except to the extent prohibited by applicable law, any implied guarantee of merchantability or fitness for a particular purpose on this product is limited in duration to the duration of this guarantee.

Any and all claims for remedy under this guarantee must be made in writing by the School District of Palm Beach County. Site N Sound Inc. will deal directly with the School District of Palm Beach County in all matters concerning this guarantee. It is the responsibility of the School District of Palm Beach County to pay for any and all damages that are excluded in this guarantee. It is the exclusive right of the School District of Palm Beach County to seek damages from any third party causing excluded damages.

Signed----- Dated-----

By: Michael Johnson
Authorized Agent for Site N Sound, Inc.

L'argent Bruille Dance Floor System

Care and Maintenance

A copy of this "Care and Maintenance" and "No Bond Guarantee" should be made available to the Maintenance Supervisor of the Boynton Beach High Academy. Although the top coat or Marley was installed by others, it is an integral part of the dance floor and thus its care can affect the wooden dance floor. Therefore we have included some basic guidelines with regard to the floor care that include the top coat or Marley product.

Floor Covering aka Marley

We do not recommend gluing down the Marley as it will cause secondary damage not covered in the guaranty. The floor covering should be affixed with a double stick tape that leaves no residue. The tape will need to be changed every two years as to minimize potential damage to the wood flooring.

Cleaning the Floor Covering

The floor covering should never be cleaned with a self-propelled floor scrubber. Due to the weight and amount of water used with this type of cleaner, it can potentially damage the rubber padding under the floor and cause water damage to the wooden flooring. In the event that floor scrubbing is deemed necessary a floor scrubber that is hand operated should be used (one that looks similar to an old fashioned floor buffer but turns at a slower speed.)

Use water sparingly, as it can get under the floor covering and cause water damage to the wood flooring. We recommend damp mopping only and floor scrubbing sparingly.

Heavy Loads and Static Loads

Moving heavy loads over the floor can cause damage to the wood flooring and rubber pads. Therefore, we recommend when moving a heavy load across the floor, matt the floor with plywood to minimize potential damage to the wood flooring and rubber pads.

The use of scissor lifts and a power cord "genie" lift will cause permanent damage to the wood flooring and the rubber padding. A battery operated one-man "genie" lift may be used as long as it is properly matted and not left in the same place longer than one hour. The battery operated one man genie lift should never be moved with the operator or a person in the basket or on the lift.

Portable stage risers should have plywood matting under the wheels and supports when set up on the flooring to protect the floor and prevent damage to the floor joints.

Heavy items stored on the flooring will cause the rubber cushions to fail. Items like pianos should have a dedicated area near a wall or corner. Due to static weight load, this area will become depressed over time and may not be suitable for dancing.

Using the dance flooring for any other use i.e. furniture storage or assembly, or as a work or storage area for contractors or sub contractors will cause damage to the dance floor.

The no-bond guarantee excludes any kind of water damage or damage caused by heavy loads or inappropriate uses.

